



GIESSE OPEN SOURCE SYSTEM

INSTALLATION MANUAL

GOS-S

U0506000-REV01-10/2013

Documento riservato e strettamente confidenziale - GSG International Spa - Italia. Riservati tutti i diritti. Il contenuto di questo documento (composto da 16 pagine) è strettamente confidenziale e destinato alla/e persona/e alle quali è indirizzato consegnato. E' fatto divieto di copiare e divulgarne, anche parzialmente, il contenuto. Ogni utilizzo abusivo delle informazioni qui contenute da parte di terzi potrà essere perseguito ai sensi di legge ed in base agli accordi sottoscritti con GSG International Spa - Italia

This document is strictly confidential - GSG International Spa - Italy. All rights reserved. The content of this document (composed of 16 pages) is strictly confidential and is intended to the person/s to which it is addressed. It is forbidden to copy and disseminate, even partially, the content. Any misuse of the information contained herein by any third person may be prosecuted according to law and according to the agreements signed with GSG International Spa - Italy

MATERIAL LIST

CHEMICALS

Silicone: Neutral Transparent

TOOLS/

Allen key: Set Ø from 2,5 mm to 6 mm

Deburring tool

Skatto tab tool: GIESSE code **06510000**

Cutter

Suction Cups Lifters

Drilling machine

MACHINES:

Double head cutting-off machine

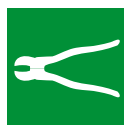
Punching machines: Art. 5810530001, Art. 5810550000, Art. PGOS1

CNC milling machine

FREQUENT ACTIONS



SEE
TECHNICAL CATALOGUE



CUT GASKET



CHECK DIMENSIONS



PUT SILICONE



CUT PROFILES



TIGHTEN SCREW



PUNCHING MACHINE



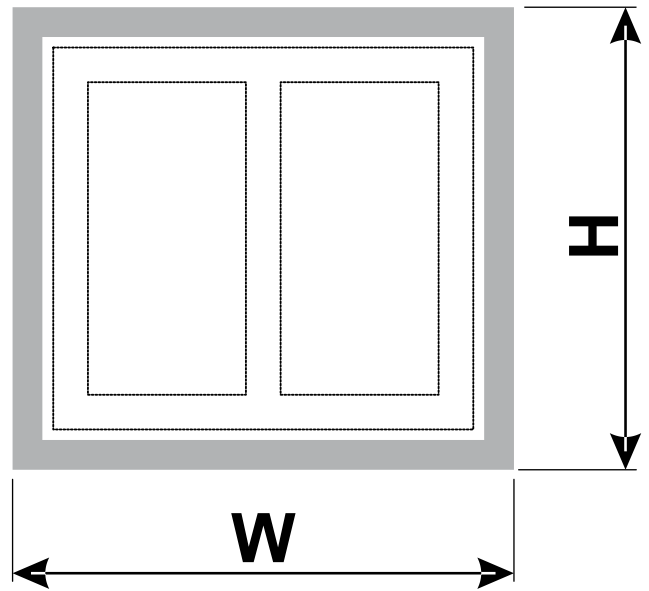
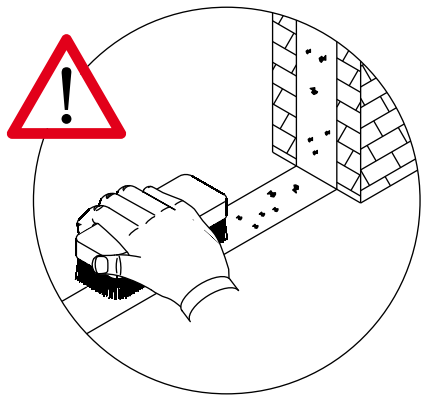
USE CYANOACRYLATE
GLUE



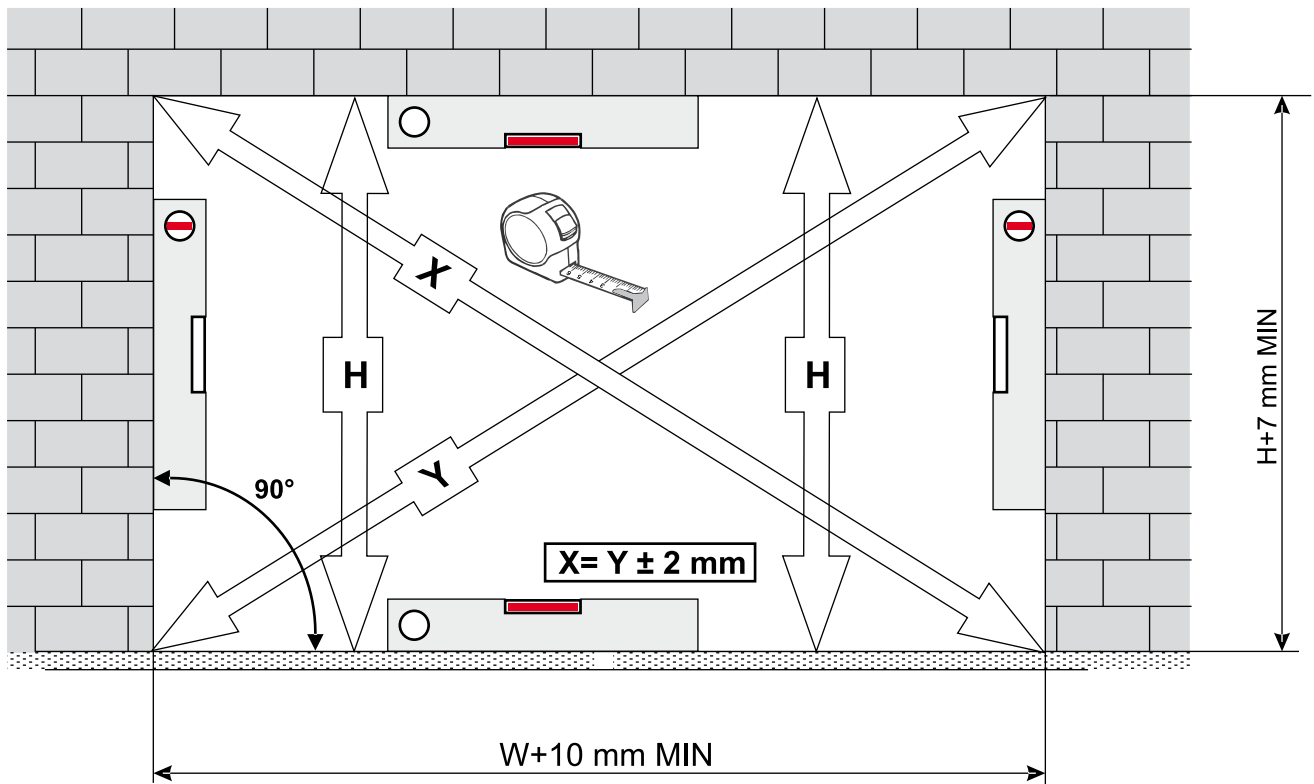
DRILL

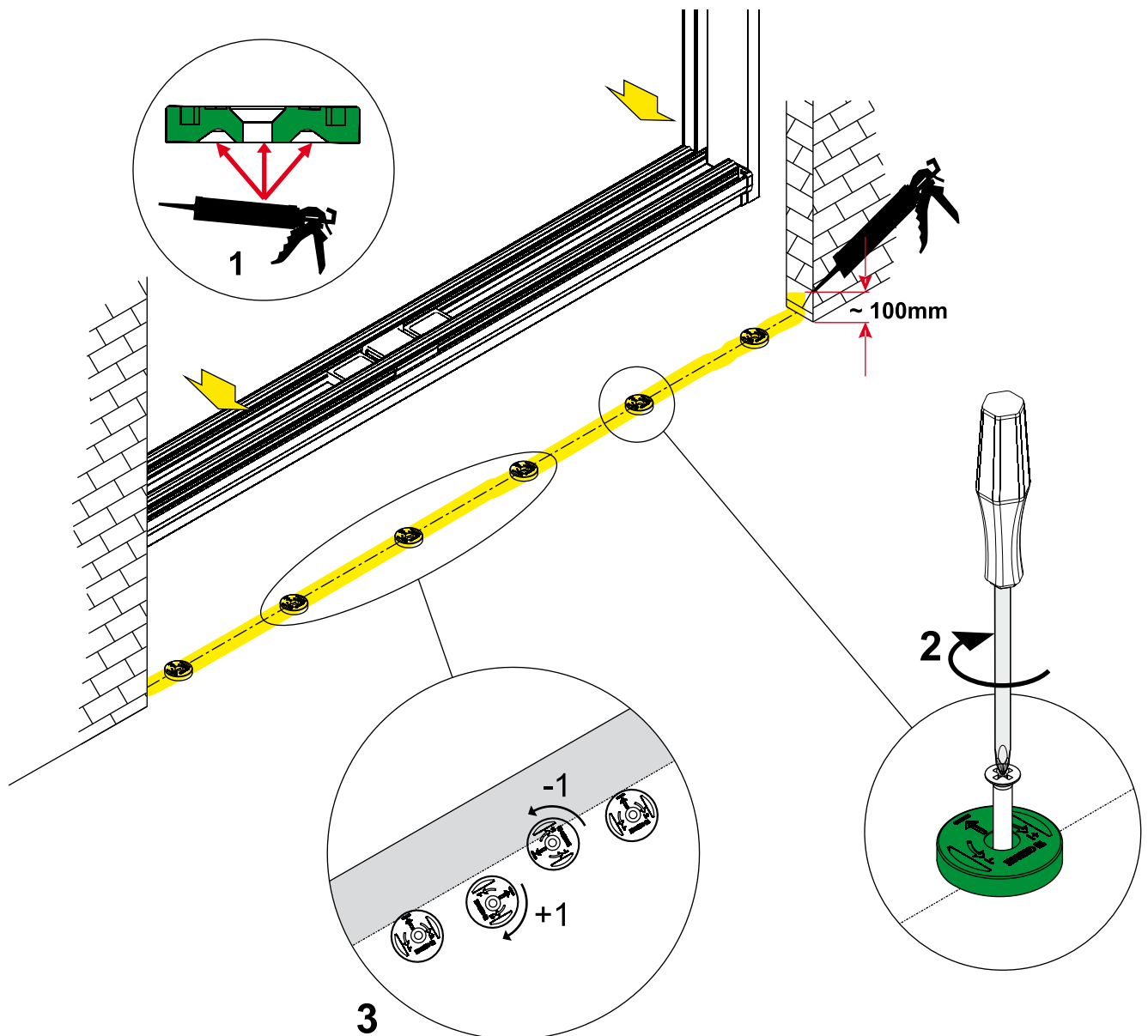
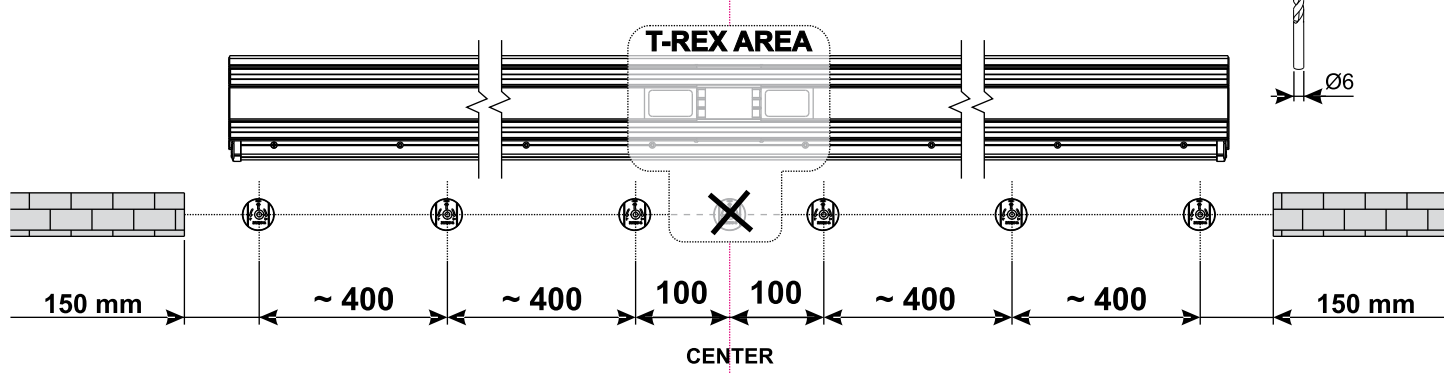
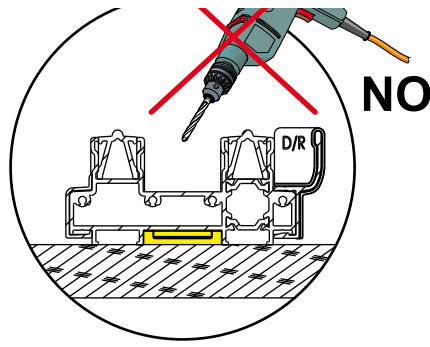
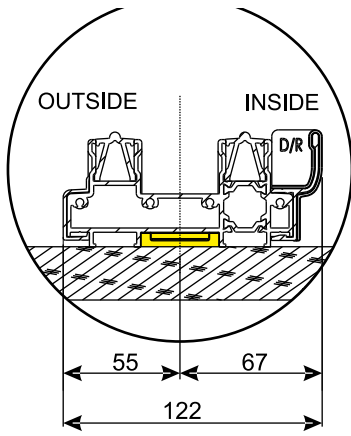


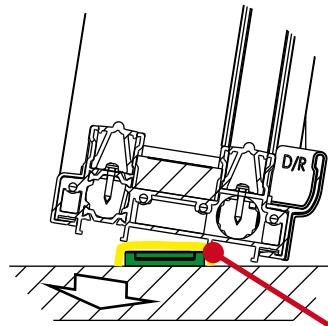
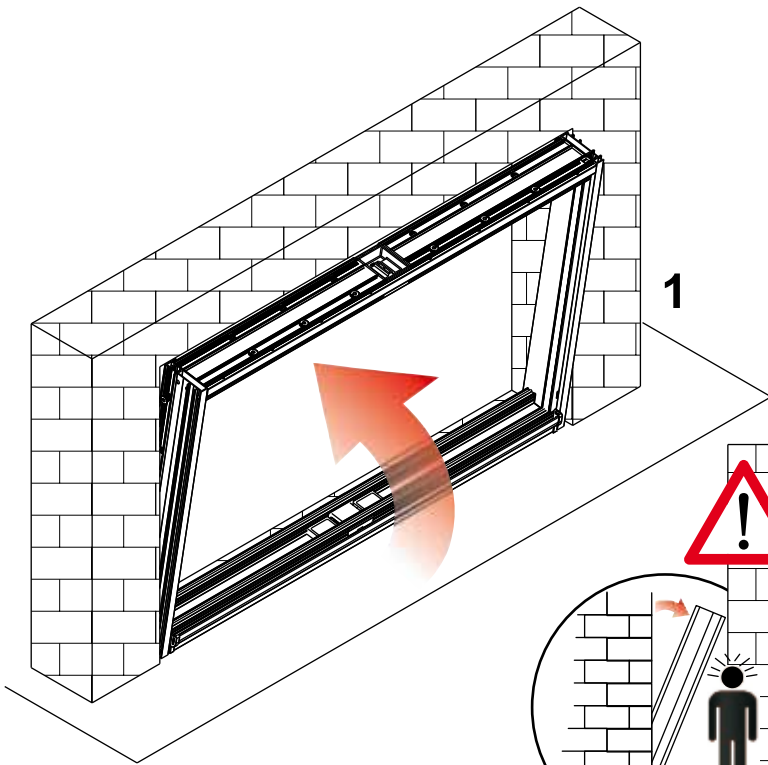
ASSEMBLE GLASS



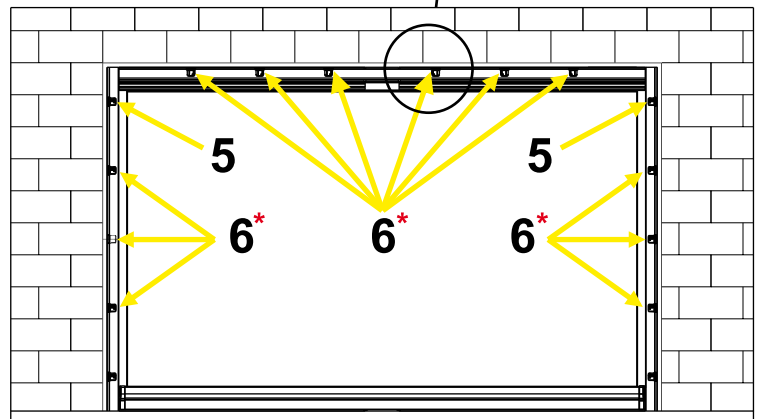
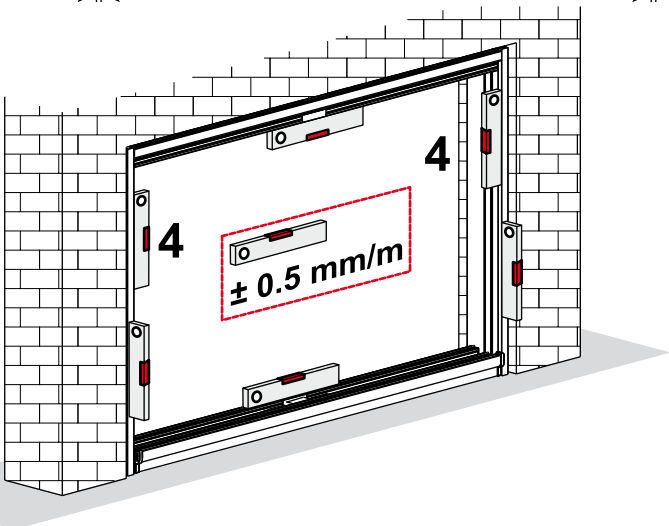
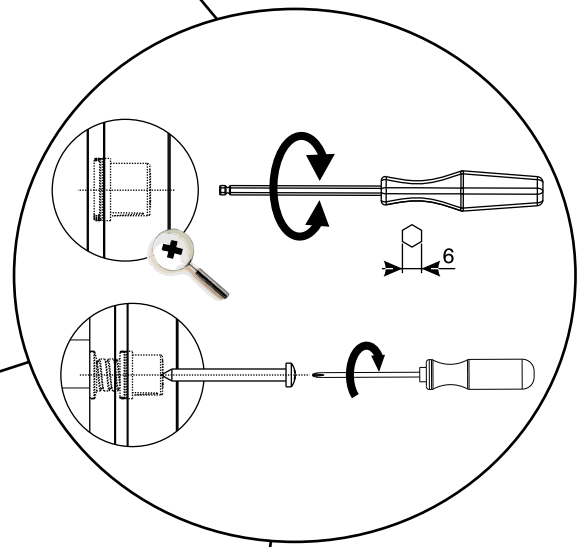
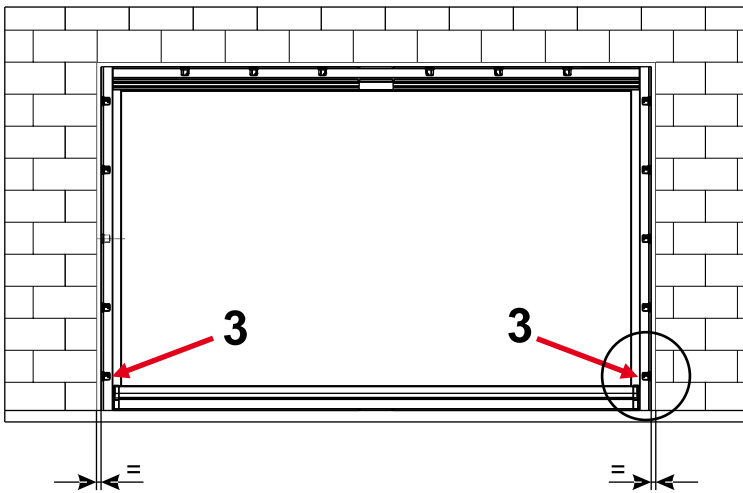
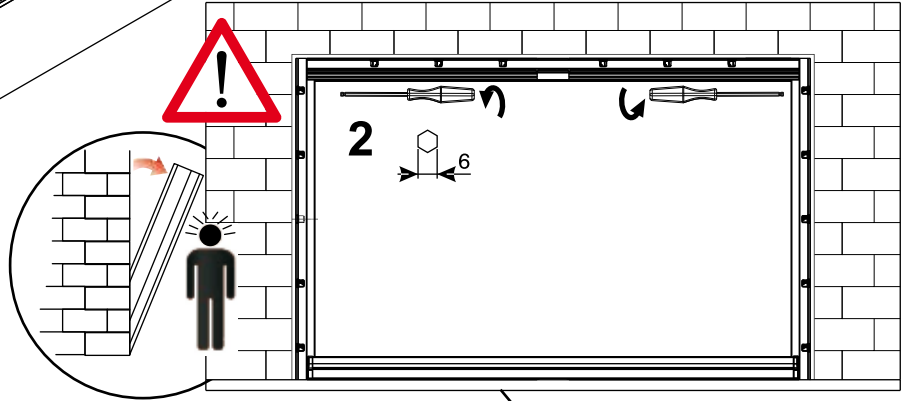
Make sure that the floor is clean from dust and other materials.



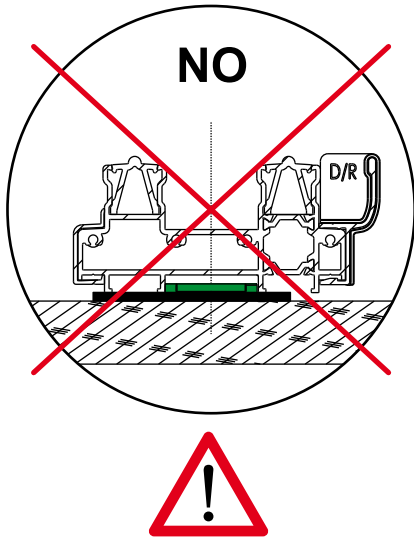
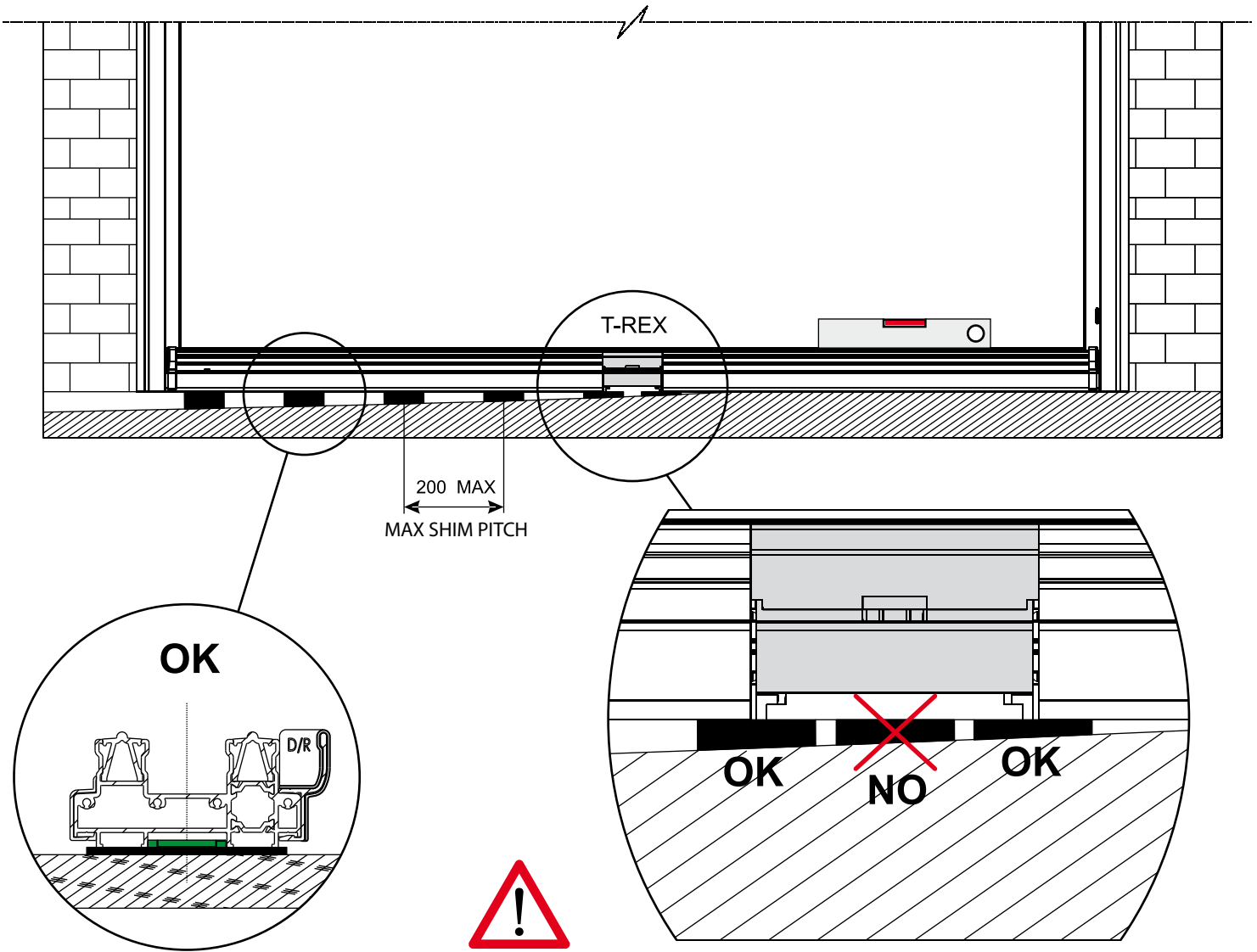




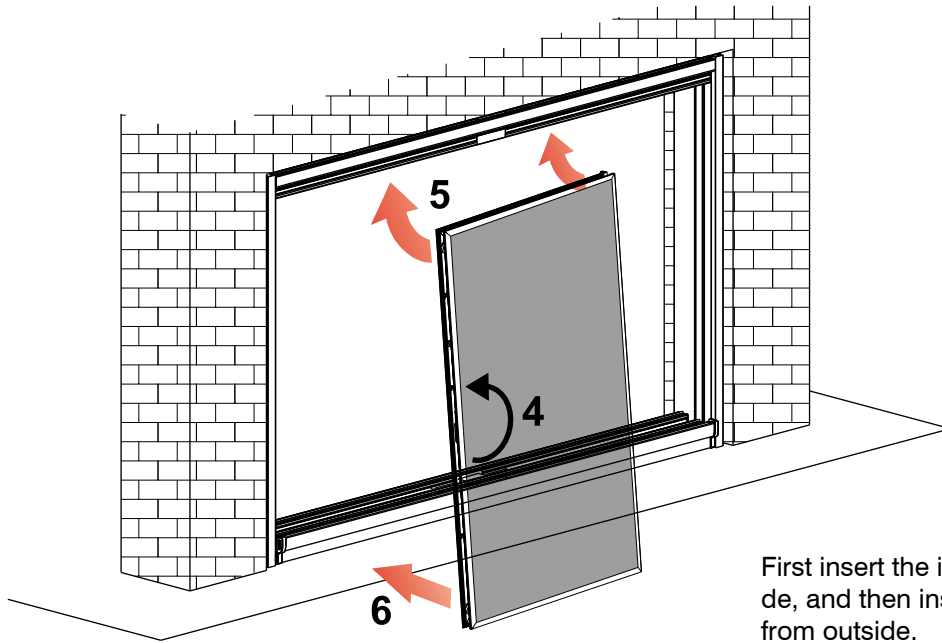
SILICONE



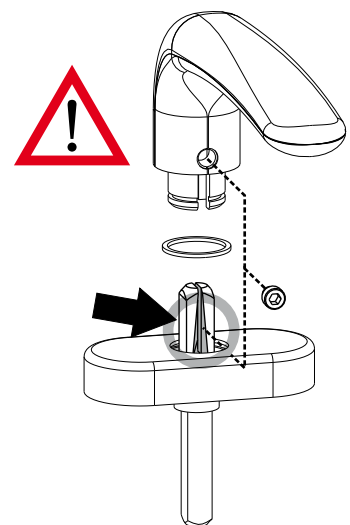
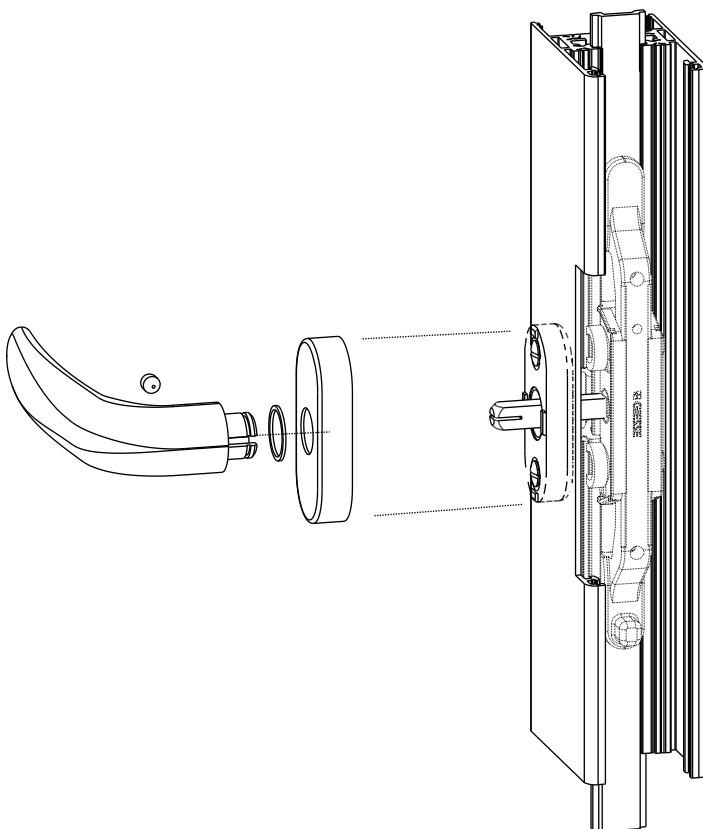
* Step 6 after the installation of the sashes

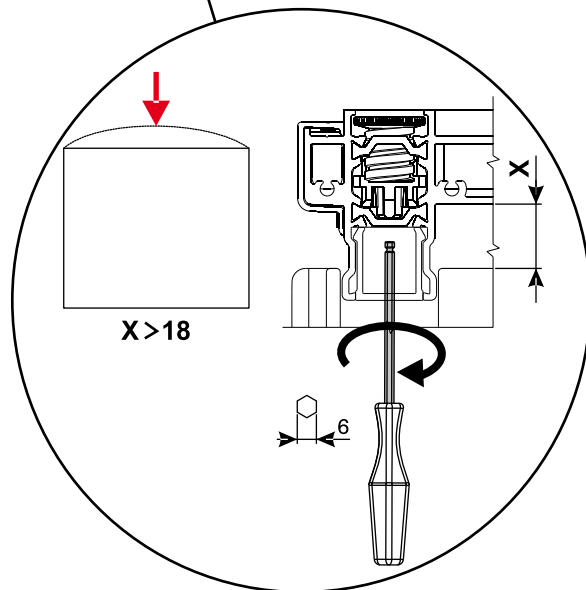
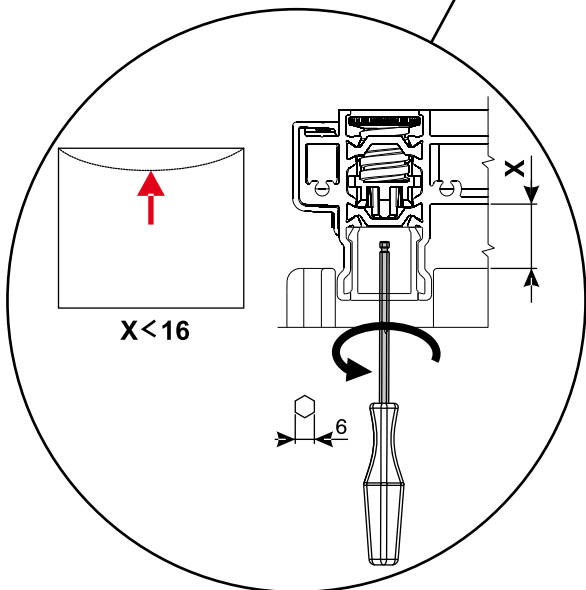
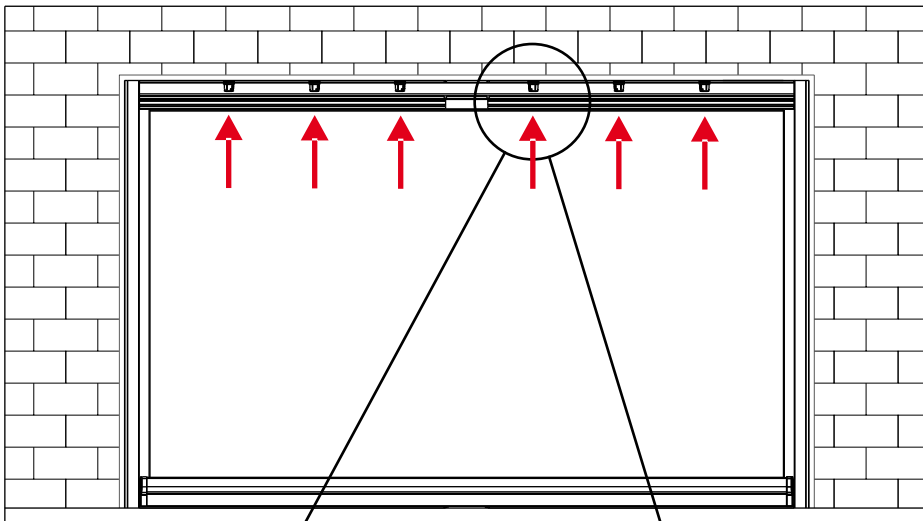
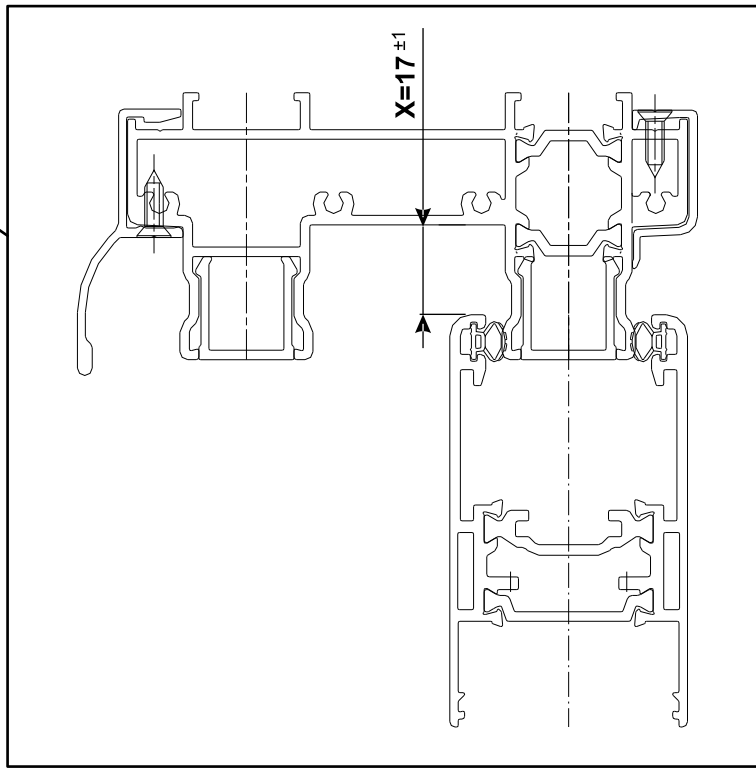
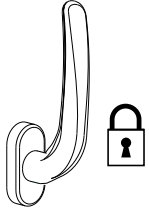
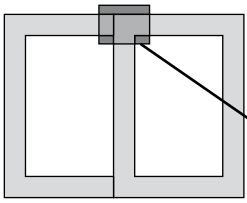


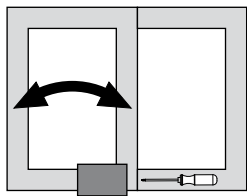
DO NOT PROCEED UNTIL THE LOWER RAIL IS PERFECTLY STRAIGHT AND STRONGLY SUPPORTED, SO AS NOT TO BEND UNDER SASH WEIGHT.



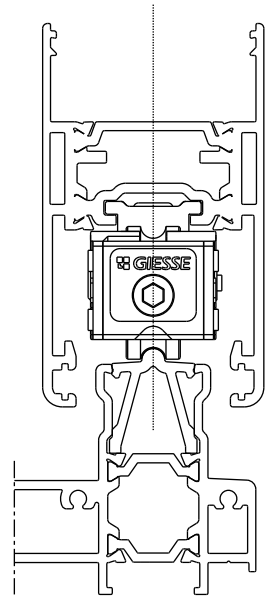
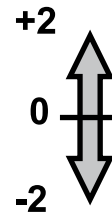
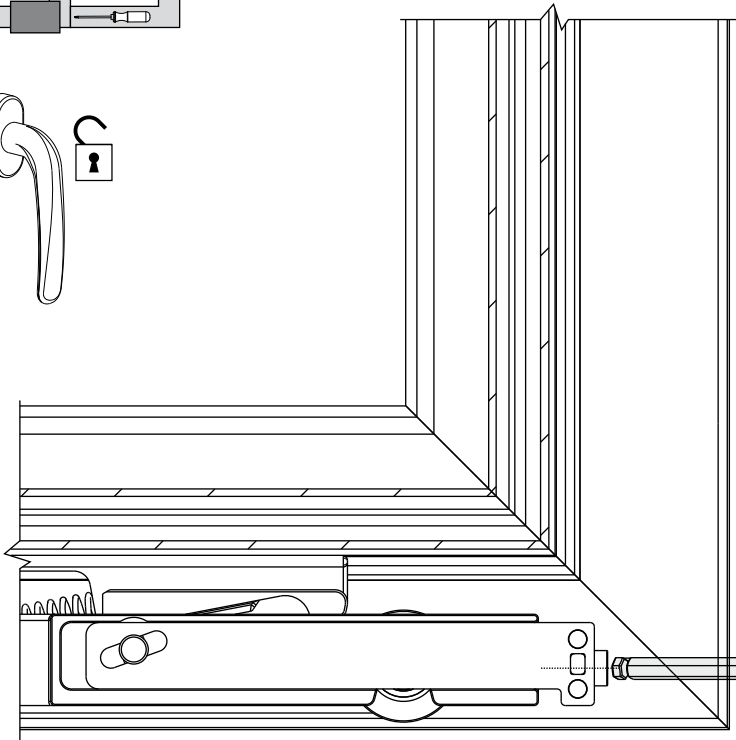
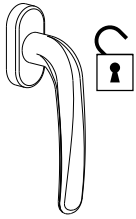
First insert the internal sash from inside, and then insert the external sash from outside.







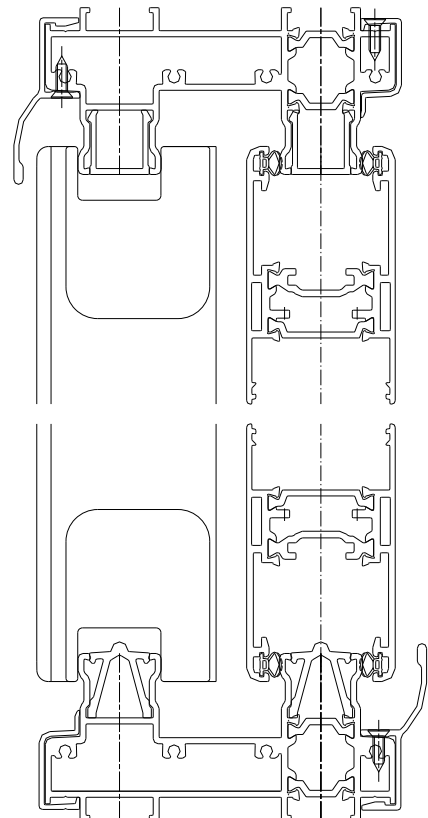
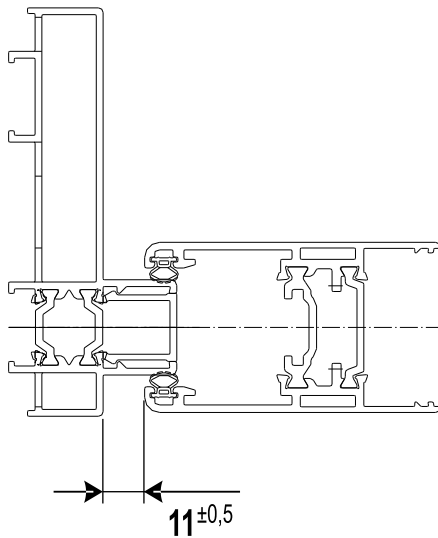
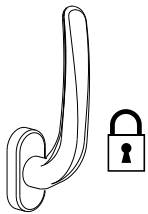
Adjust if necessary

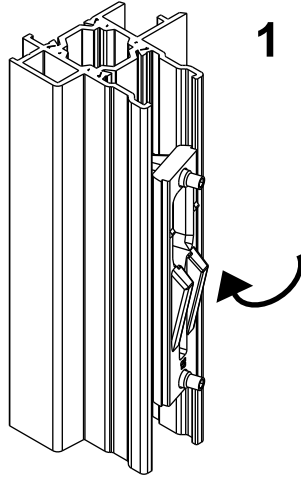
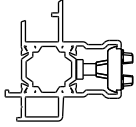
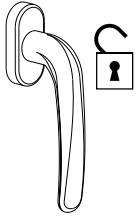
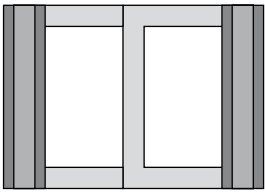


+2



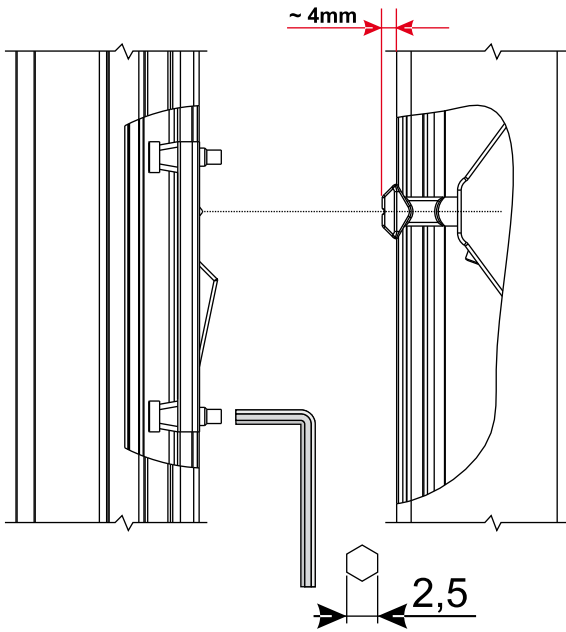
-2





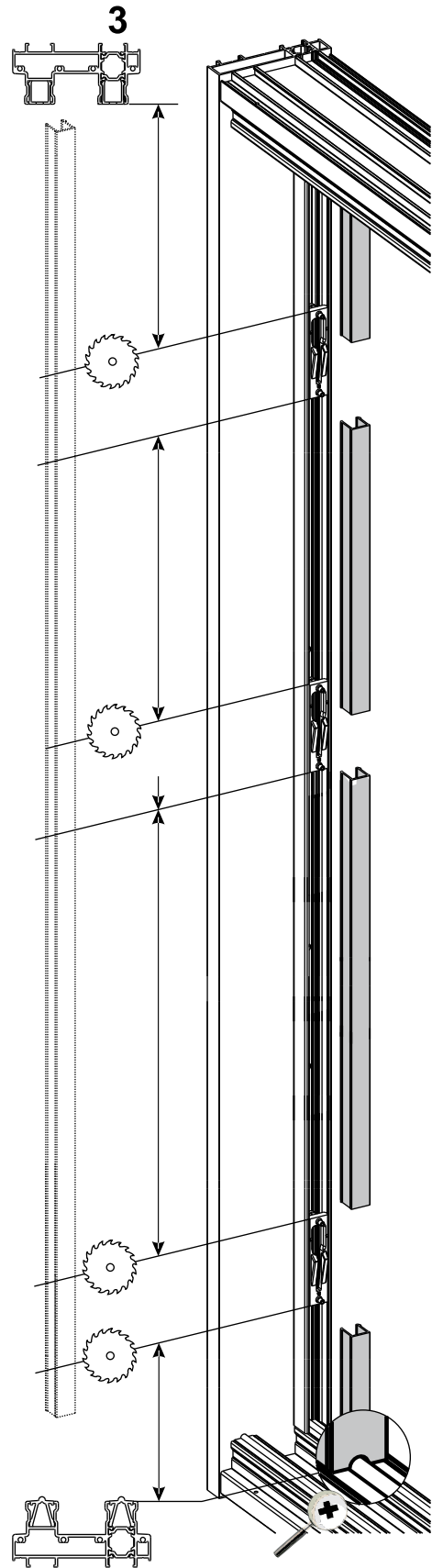
1

2

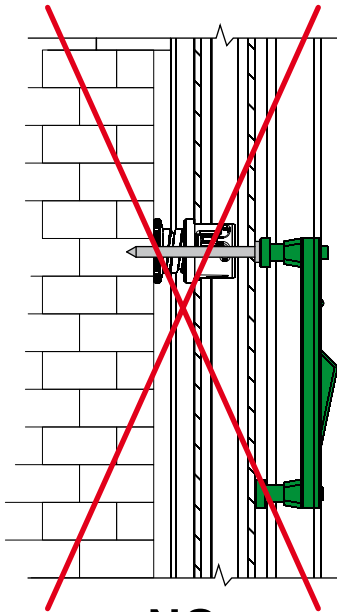


~4mm

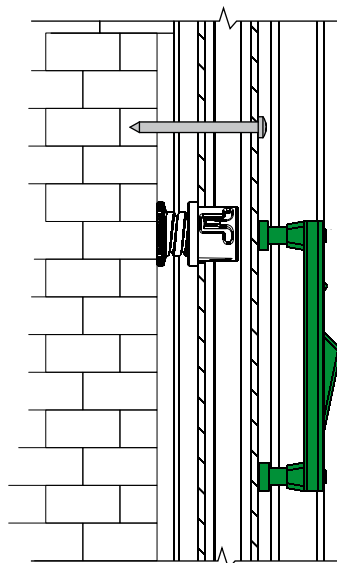
2,5

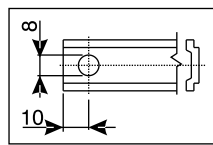
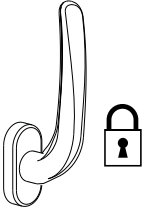
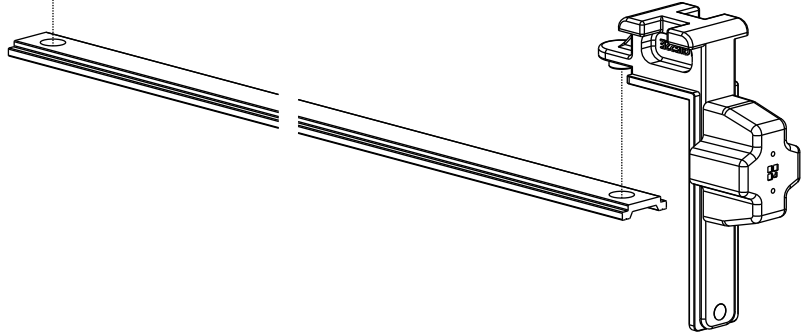
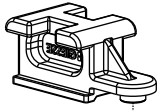
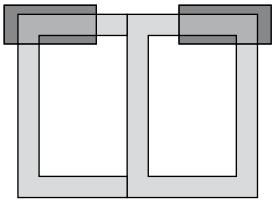


3

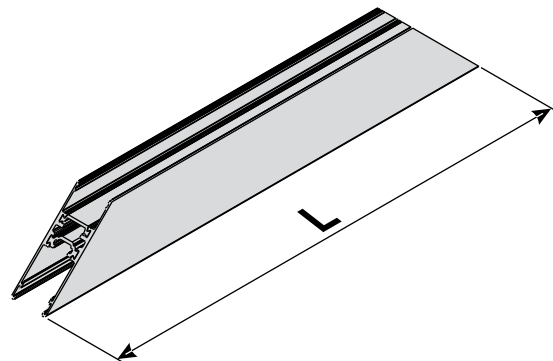
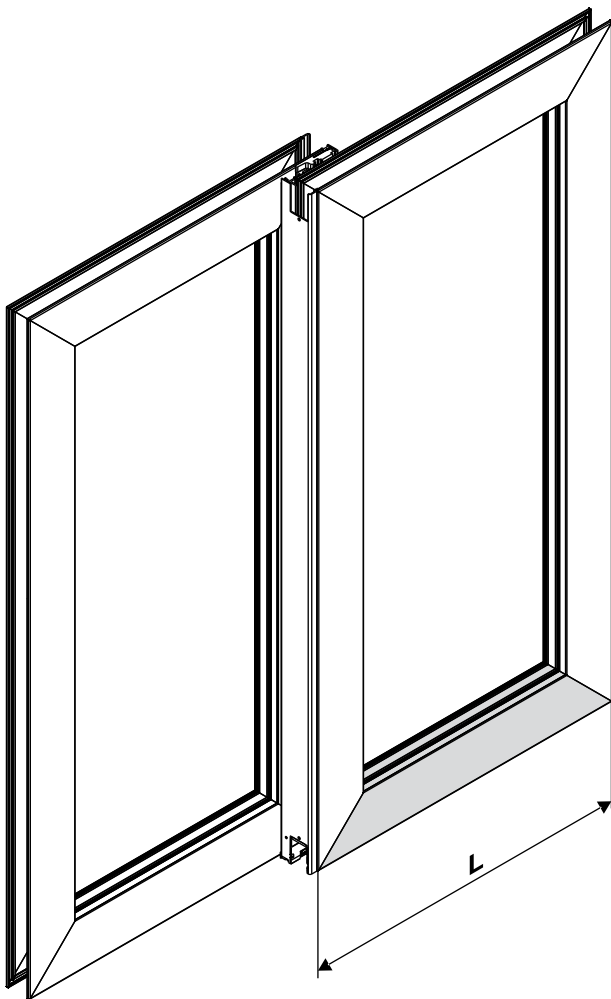
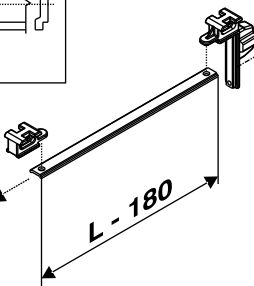


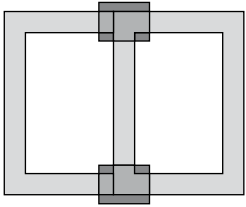
NO



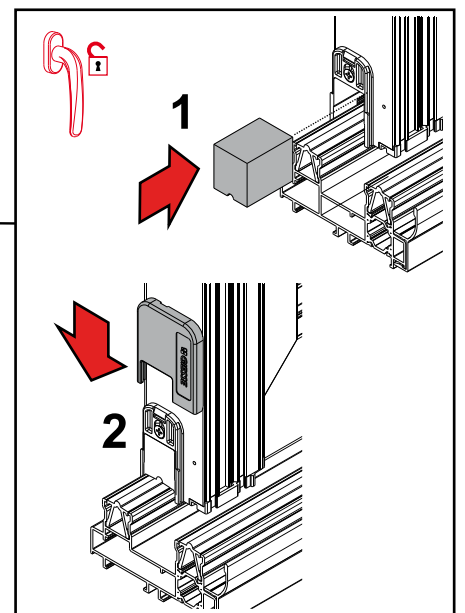
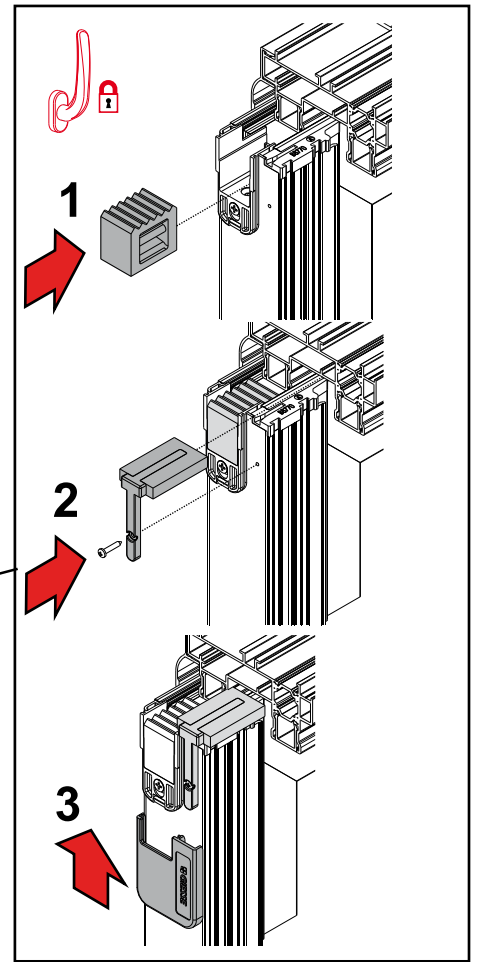
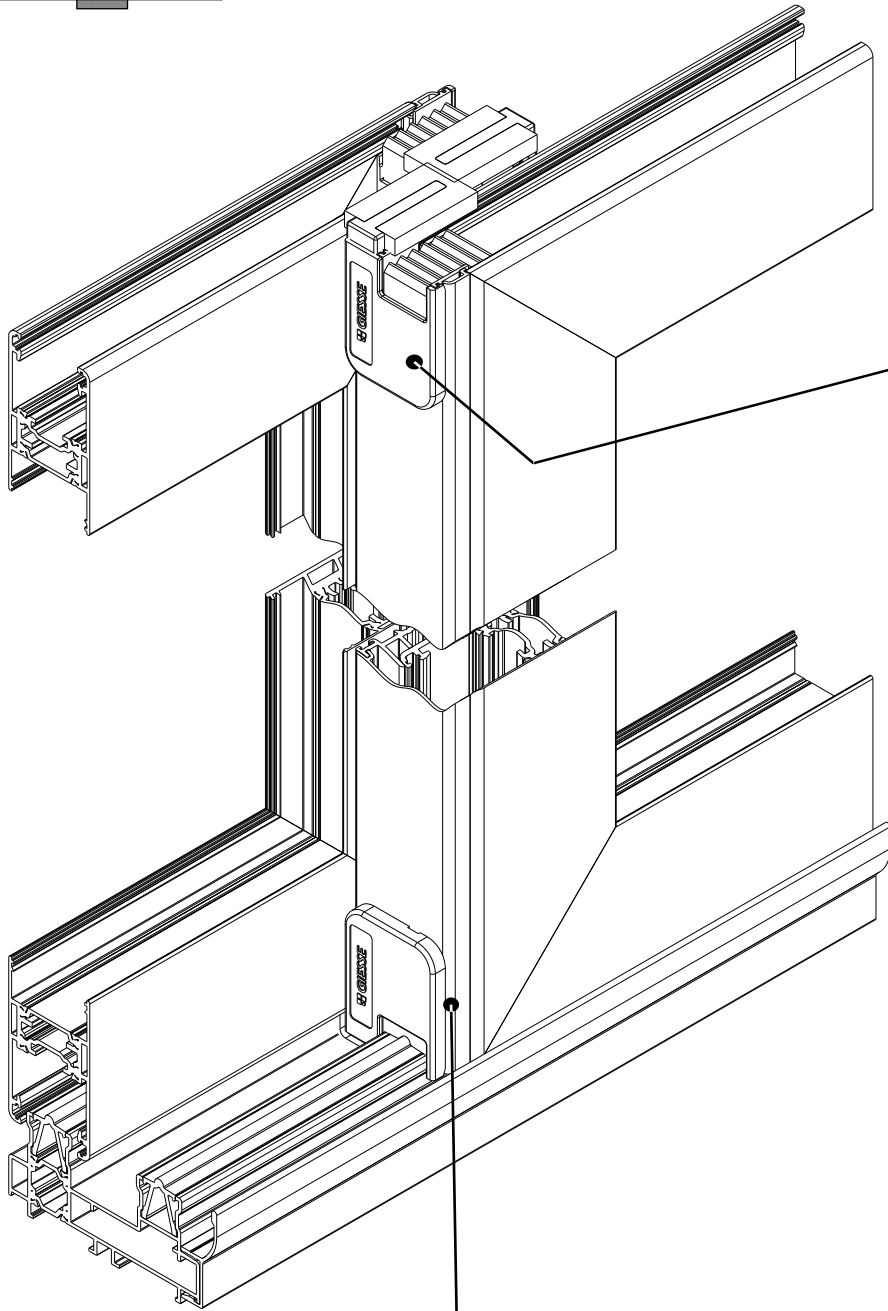


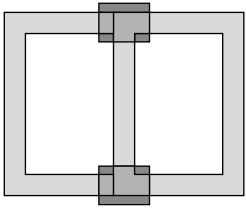
NOT IN EQUIPMENT
UNI EN ISO7049 4,2x25



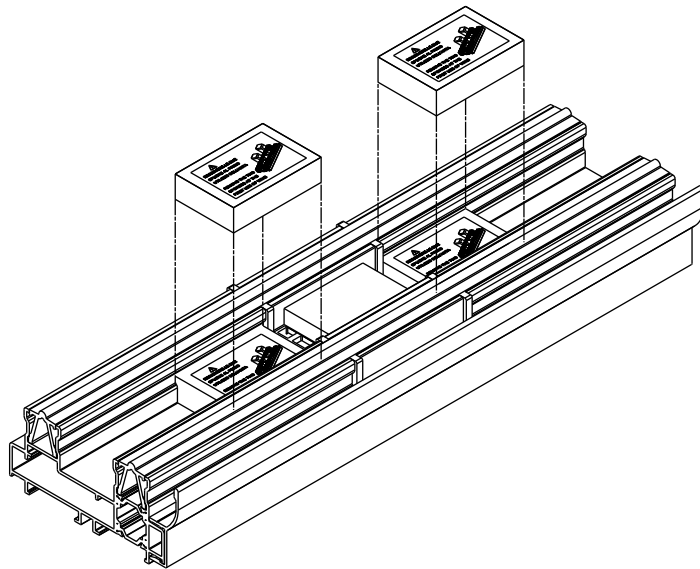
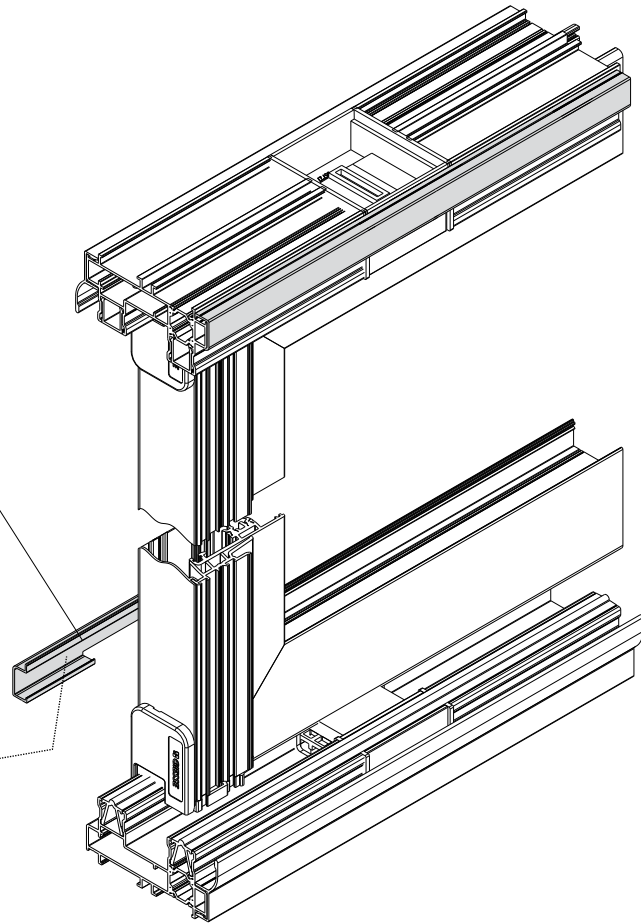
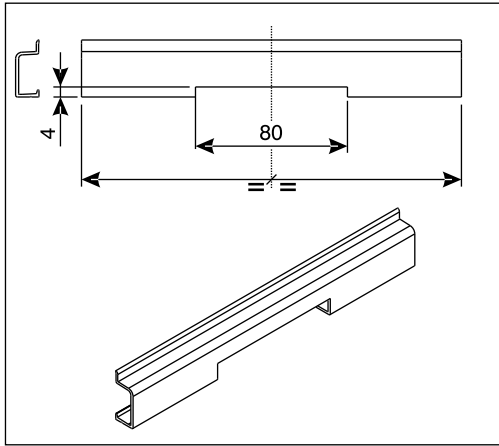


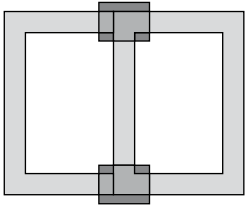
02936N



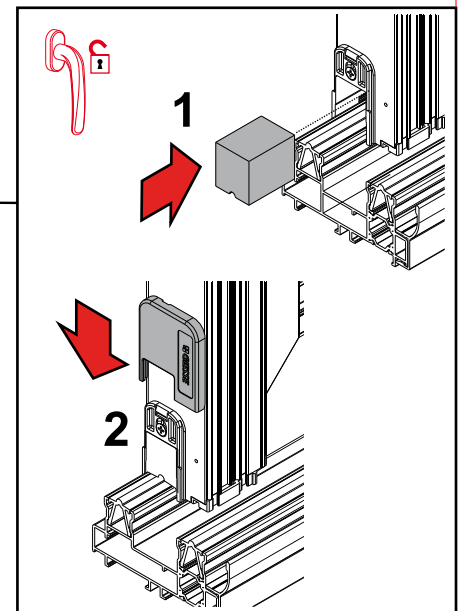
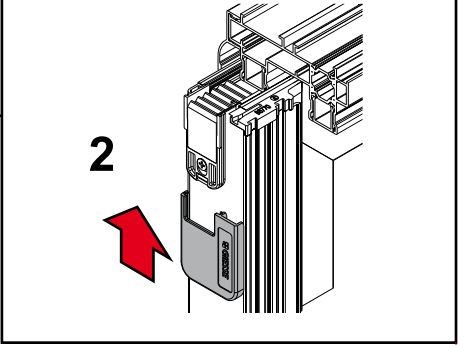
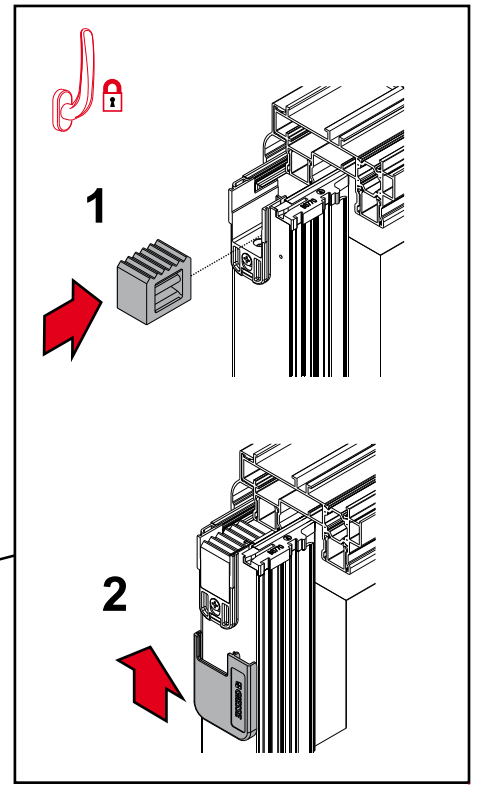
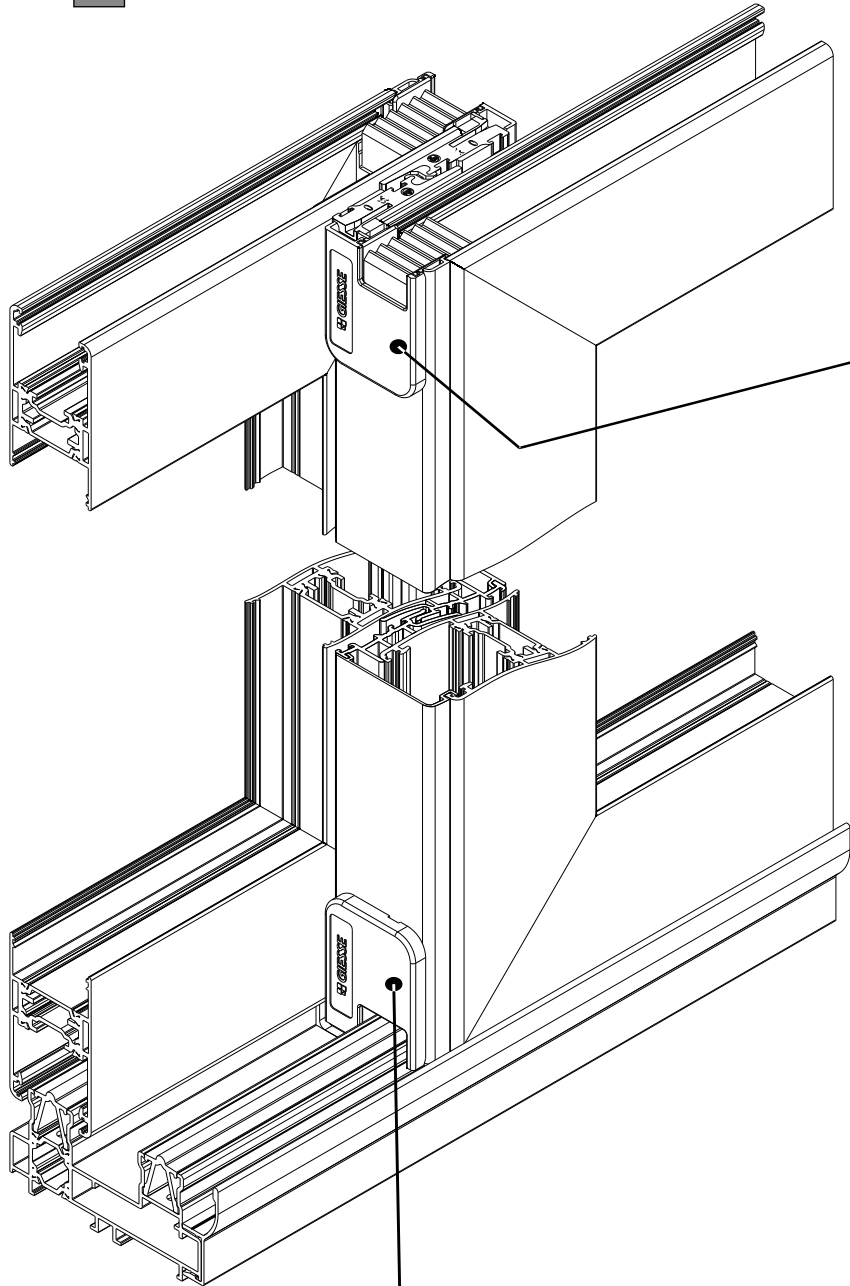


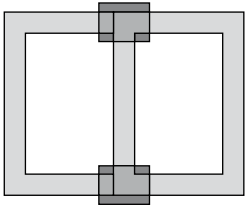
02936N





02888





02888

